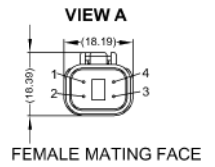
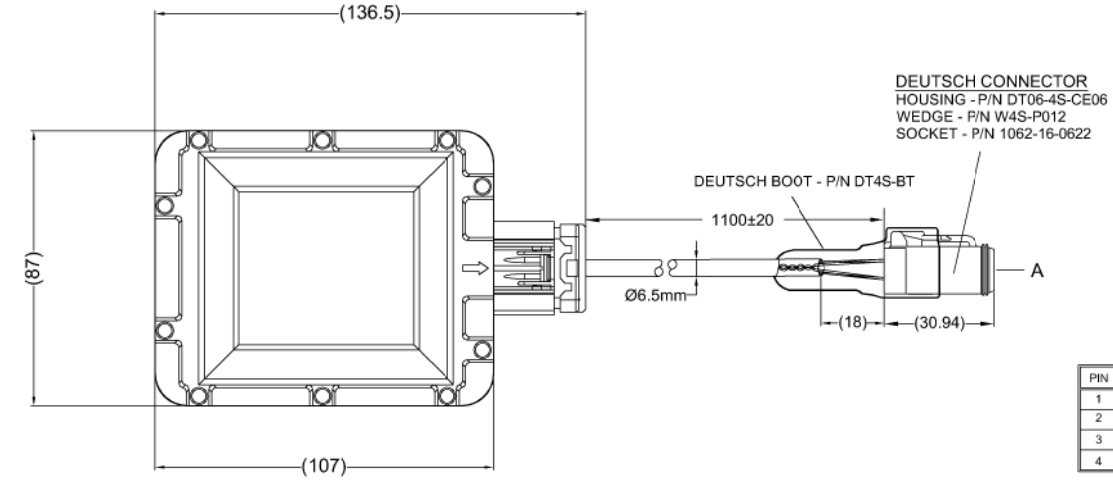
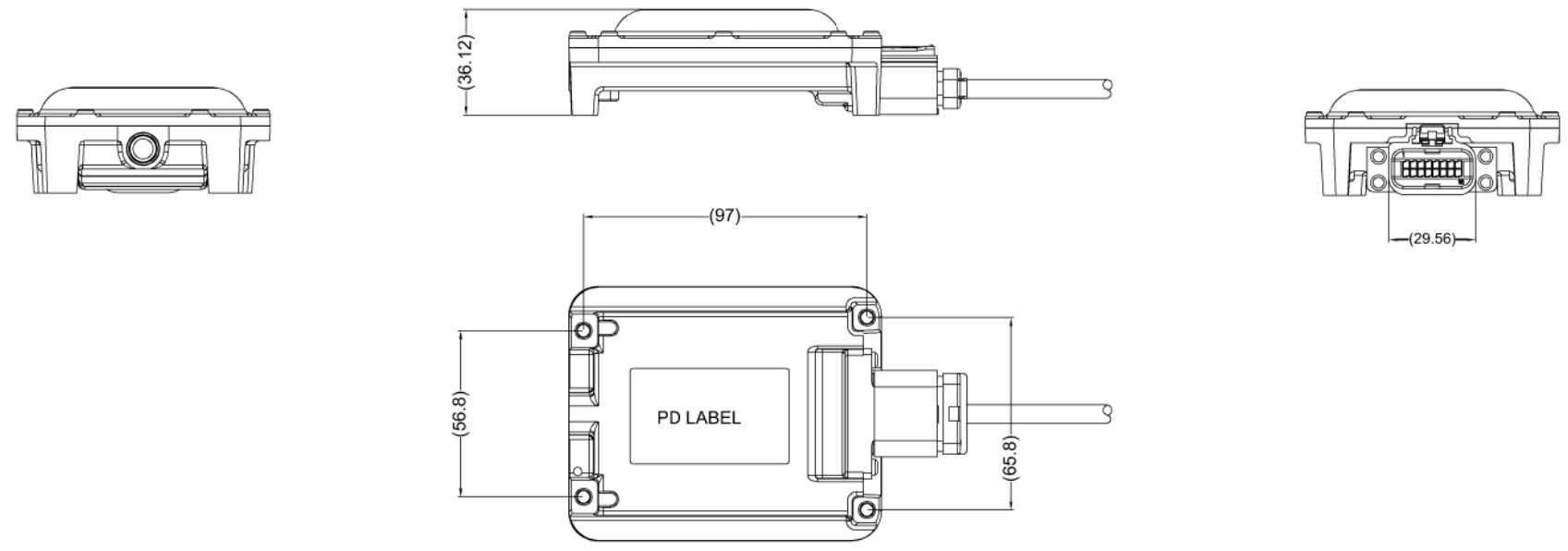


Revision Notes				
APA:	Drawn:	Checked:	Approved:	Date:



PIN	WIRE COLOUR	DESCRIPTION
1	BROWN	GND
2	GREEN	CAN HIGH (PAIR 1)
3	YELLOW	+12V
4	BLUE	CAN LOW (PAIR 1)



- NOTES:
1. THE OUTSIDE CABLE INSULATION MUST END MINIMUM 20MM WITHIN THE BOOT.
  2. FOR PACKAGING AND LABELING PLEASE REFER TO MASTER BILL OF MATERIALS.
  3. REFER TO BASE PRODUCT FOR LATEST FIRMWARE VERSION.
  4. FIRMWARE TO BE PRELCADED TO THE SENSOR DURING MANUFACTURING.

**PROPRIETARY NOTICE**  
 THIS DESIGN AND TECHNICAL INFORMATION APPEARING ON THIS DRAWING IS THE PROPERTY OF BRIGADE ELECTRONICS, AND IS DISCLOSED IN CONFIDENCE. IT IS NOT TO BE COPIED, REPRODUCED, REVEALED TO OR EXPROPRIATED BY OTHERS, EITHER IN WHOLE OR IN PART WITHOUT THE EXPRESS WRITTEN CONSENT OF BRIGADE ELECTRONICS.



Assembly PI Approval M.L.O 02/08/18	Approved by B.CHILDS	Checked by J.TYRRELL	Drawn by W.SINDEN
Angle of Projection 	Units mm	Scale N/A	Released 00/00/00
Status RELEASED	Assembly Ref BS-8000S-NH		
Part No 5449	BE-003817-00-18		